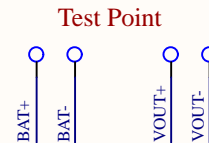
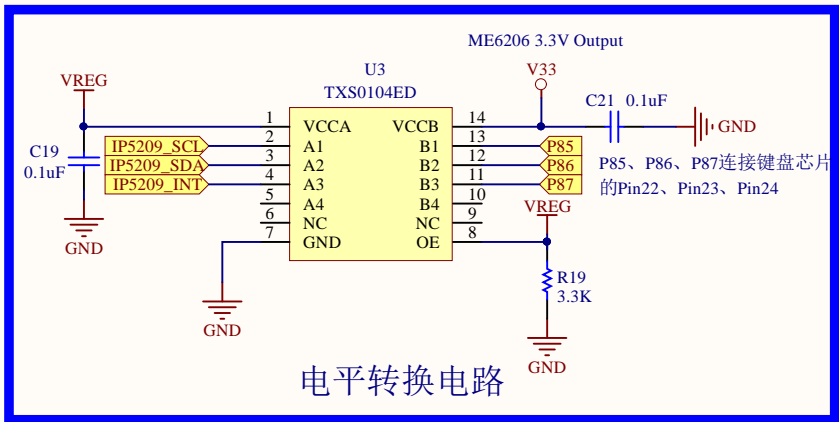
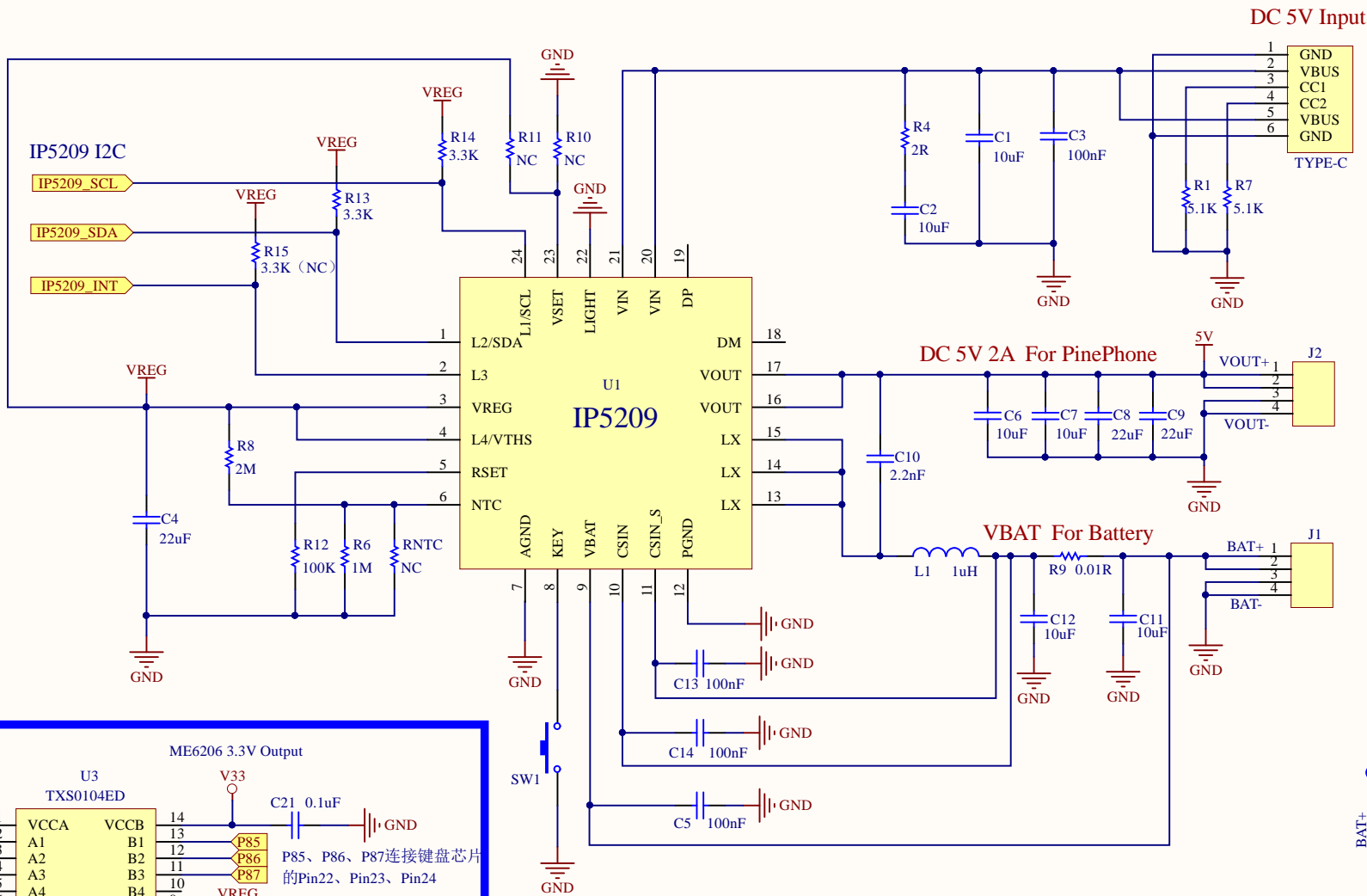
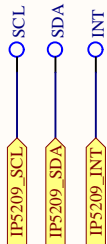
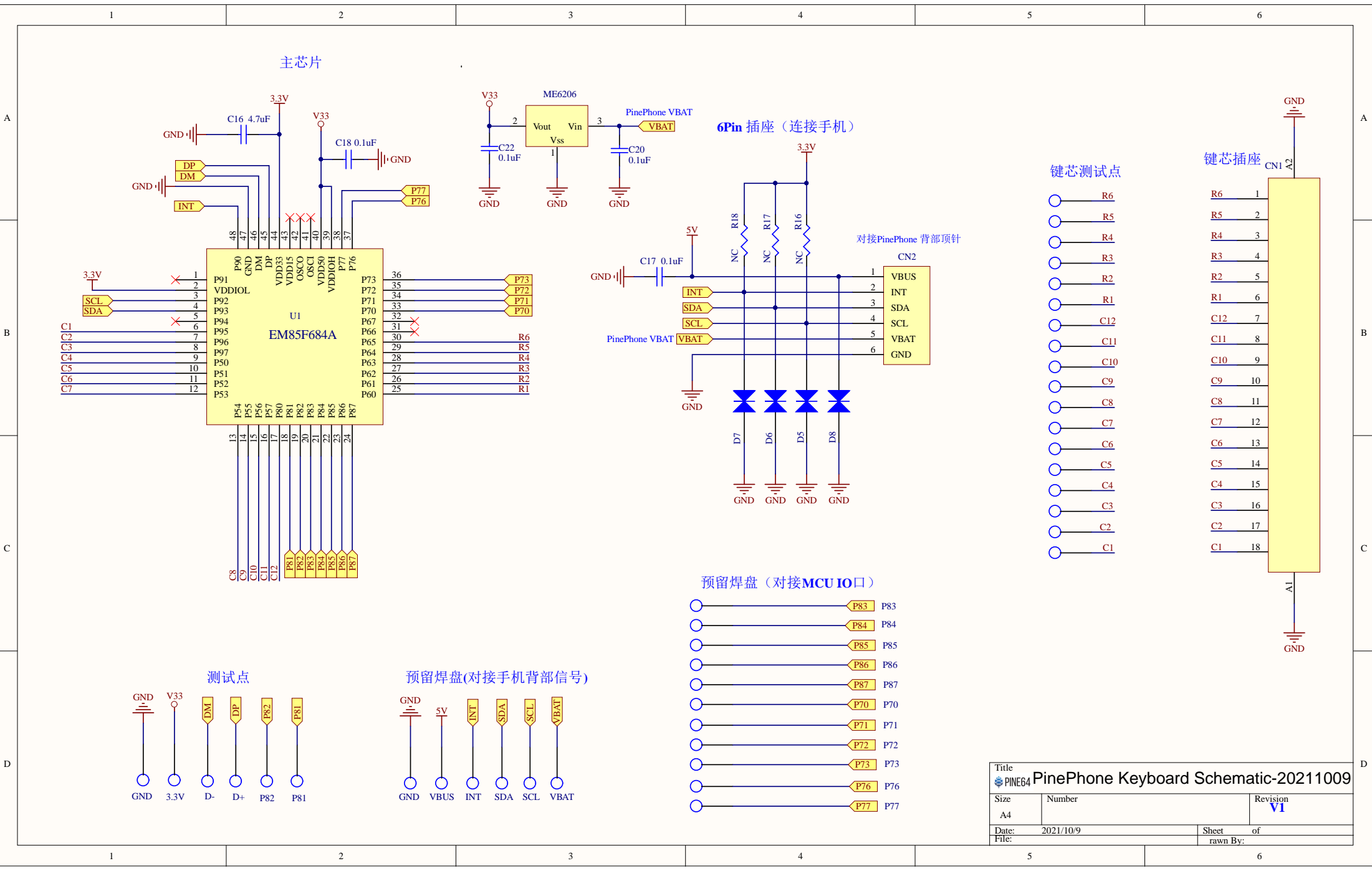


充电板I2C预留焊盘



Title PINE64 PinePhone Keyboard Schematic-20211009		
Size A4	Number	Revision <b>V1</b>
Date: File:	2021/10/9	Sheet of Drawn By:



主芯片

6Pin 插座 (连接手机)

键芯测试点

键芯插座

预留焊盘 (对接 MCU IO口)

测试点

预留焊盘(对接手机背部信号)

Title		
PINE64 PinePhone Keyboard Schematic-20211009		
Size	Number	Revision
A4		VI
Date:	2021/10/9	Sheet of
File:		rawn By:

- R6
- R5
- R4
- R3
- R2
- R1
- C12
- C11
- C10
- C9
- C8
- C7
- C6
- C5
- C4
- C3
- C2
- C1

- R6 1
- R5 2
- R4 3
- R3 4
- R2 5
- R1 6
- C12 7
- C11 8
- C10 9
- C9 10
- C8 11
- C7 12
- C6 13
- C5 14
- C4 15
- C3 16
- C2 17
- C1 18

- P83
- P84
- P85
- P86
- P87
- P70
- P71
- P72
- P73
- P76
- P77

- GND
- 3.3V
- D-
- D+
- P82
- P81

- GND
- VBUS
- INT
- SDA
- SCL
- VBAT