

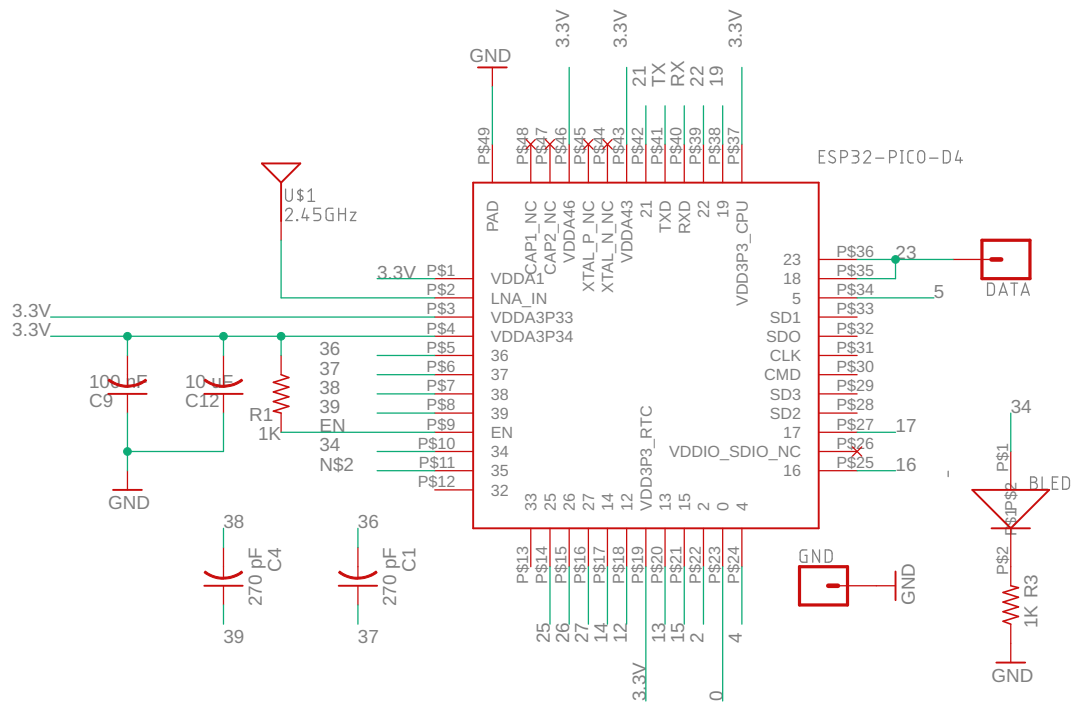
TITLE: BlueCubeModR2

Document Number:

REV:

Date: 5/2/19 10:47 AM

Sheet: 1/2



TITLE: BlueCubeModR2

Document Number:

REV:

Date: 5/2/19 10:47 AM

Sheet: 2/2